

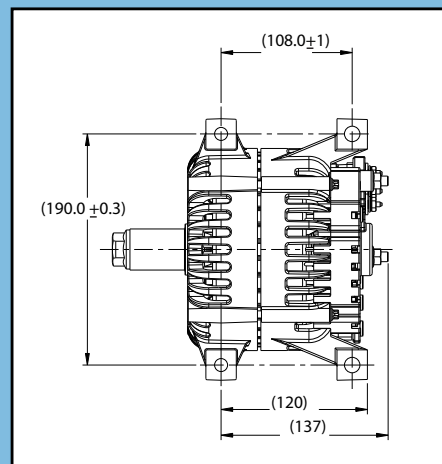
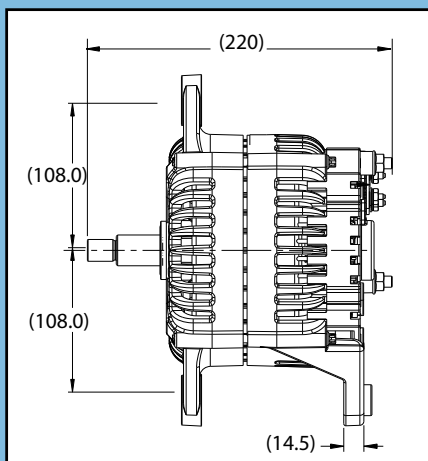
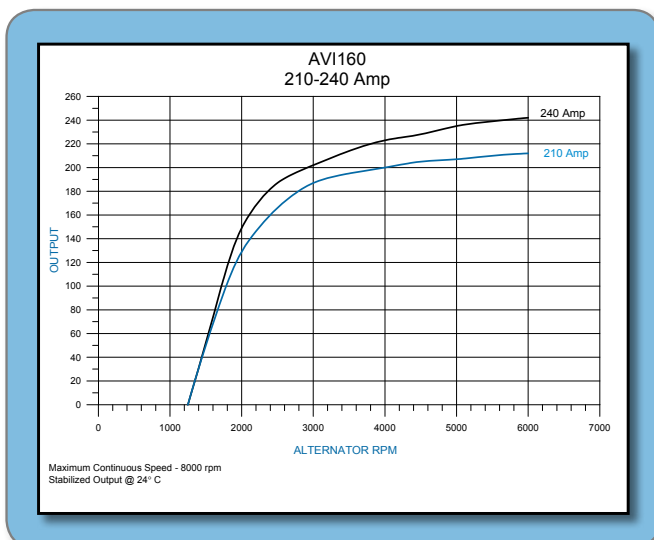
210-240 Amp Internal Fan Alternators

Why the AVi160?

- 125°C Temperature Rated**
 Our alternators continue to provide power at their maximum rated temperatures.
- E-Coated Housing**
 For maximum corrosion resistance
- Remote Sense Compatible**
 Can be used on remote sense applications to optimize alternator output and increase battery life.
- Lamp Driver Feature**
 High or low side driver for varied lamp driver applications
- Heavy Duty Housing Design**
 To withstand extreme applications and vibration
- Heavy Duty Front and Rear Bearings**
- State-of-art Rotor Design**



Pulley not included



AVI160 SERIES ALTERNATOR

Series	Volts	High Temp	Remote Sense Capable	Diodes	Excite	Lamp
AVI160 Series	12 Volt	125 °C	Yes	12	Self-excite	High and low side lamp driver function

Part number	Sales Number	Amps	Mount	Delco	Bosch	Cummins	International Truck	Blue Bird
AVI160J2008	A160208	210	J180	8600307 (LONG HINGE)	AL9960LH	3972732		
				8600311 (LONG HINGE)	AL9963SB			
				8600308 (LONG HINGE)	0124525085			
				8600310	0124625044			
AVI160J2004	A160204	240	J180	8600307 (LONG HINGE)	AL9960LH	3972732		
				8600311 (LONG HINGE)	AL9963SB			
				8600308 (LONG HINGE)	0124525085			
				8600310	0124625044			
AVI160P2007	A160207	210	Pad	8600315	AL9962SB		3819198C91	0108218
				8600316	AL9961LH		W0010532	
				8600314	0124625043			
				8600889	0124625046			
					0124625048			
AVI160P2003	A160203	240	Pad	8600315	AL9962SB		3819198C91	0108218
				8600316	AL9961LH		W0010532	
				8600314	0124625043			
				8600889	0124625046			
					0124625048			

Note: All AVI160J alternators use a long hinge mounting configuration.



Call your Leece-Neville Representative today!

